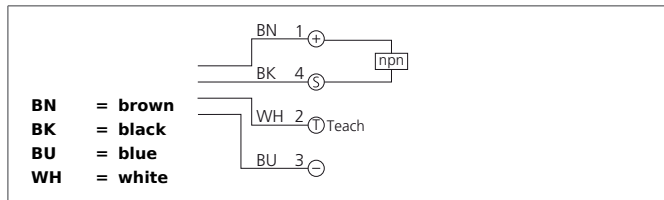


UST 18 MR 1500 N3-B4

Ultrasonic sensor

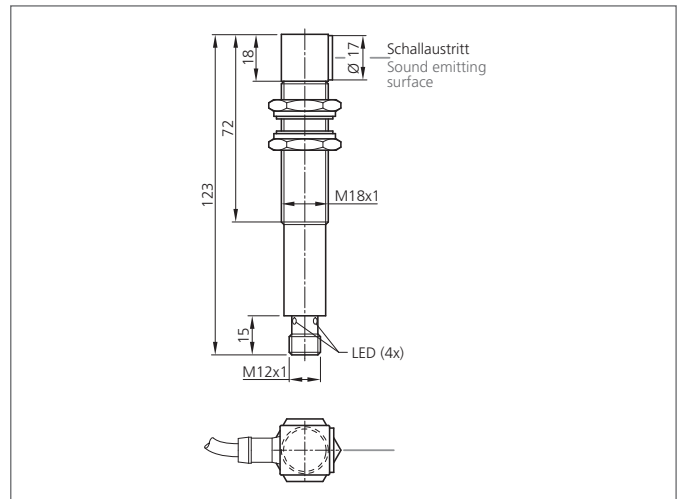


- As a ultrasonic sensor or -barrier configurable
- Scanning range adjustable
- Insensitive to dirt
- Insensitive to ambient noise
- Scanning does not depend on surface
- High resolution



Safety instructions

The Instruments are not to be used for safety applications, in particular applications in which safety of persons depends on proper operation of the instruments.
These instruments shall exclusively be used by qualified personnel.



TECHNICAL INFORMATION (typ.)	+20°C, 24V DC
Operating principle	Ultrasonic sensor, Ultrasonic barrier
Evaluation	digital
Size	M18 x 1 (thread)
Design	screw
Sound emitting surface	radial
Service voltage	11 ... 30 V DC
Internal power consumption	45 mA
Operating distance	1.500 mm
Adjustment range	120 ... 1.500 mm
Resolution	0.5 mm
Sensitivity adjustment	Remote teach
Switching output	npn, 100 mA, NO/NC
Switching hysteresis	2 mm, axial
Operating frequency	180.000 Hz
Ripple	10 %
Switching frequency	5 Hz
Repeatability	2 % / Sn max.
Response-/release time	0,1 s
Ambient temperature	0 ... +60 °C
Temperature drift	stabilized
Insulation voltage endurance	500 V
Protection class	IP 67
Casing material	brass nickel plated

UST 18 MR 1500 N3-B4

Ultrasonic sensor



TECHNICAL INFORMATION (typ.)	+20°C, 24V DC
Connection	Connector, M12 x 1, 4-poled
Scope of delivery	2 x M18 nuts, 2 x washers, 2 x rubber sleeves